



Electrolux
PROFESSIONAL

**Handling System for Hood type
Pre-wash Table with Bowl and
Hole Left to Right, 1400mm**

ITEM # _____

MODEL # _____

NAME # _____

SIS # _____

AIA # _____

865311 (BHHPTBH14L) Prewash table with
500x400mm bowl & hole for
hood type, l>r, 1400mm

Short Form Specification

Item No. _____

For hood type dishwashers. Constructed in 304 AISI stainless steel. Backsplash mm300h. N. 2 square 40x40mm tubular legs on height-adjustable feet. Bowl size mm500x400x300h with overflow pipe, drain hole and plastic syphon. Waste scraping hole with rubber

Main Features

- Supplied knocked-down and easy to assemble.
- Designed for 500x500 mm dishwashing racks.
- Plain undershelves and pre-rinse units available as optional accessories.

Construction

- Stainless steel feet 50 mm adjustable in height to ensure that tables drain back into the dishwasher.
- 700x500x300mm bowl available upon request.
- Equipped with scrape hole.
- Included splashback to prevent water leakage.
- Deep anti-drip profiles completely folded with lower edge for safe and easy cleaning.
- All surfaces smooth with polished finish.
- 40x40 mm square tubular legs in AISI 304 stainless steel.
- 304 AISI stainless steel construction throughout.
- To be secured to the dishwasher and fitted with one pair of legs at the other end.

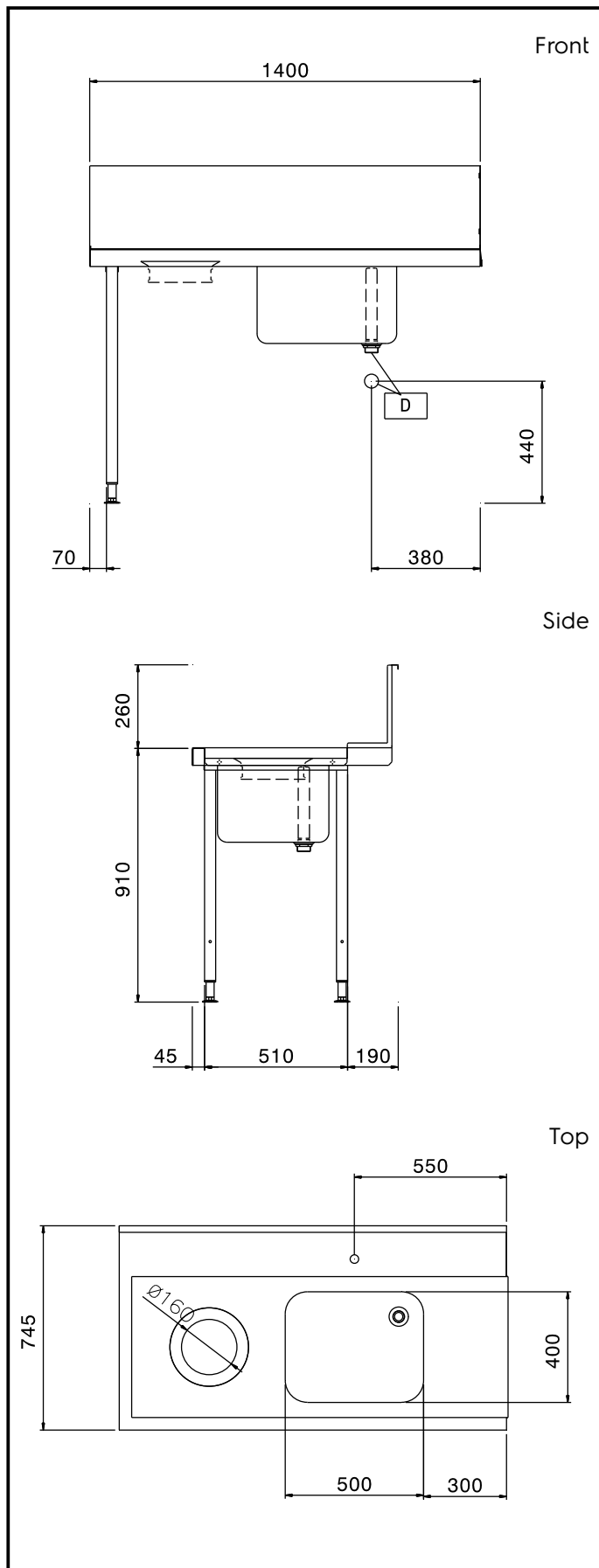
Optional Accessories

- Undershef for dishwasher table, 1400mm PNC 865353
- FLOOR FASTENING KIT FOR 2 SQUARE LEGS PNC 865386
- Single plastic drain syphon 2" PNC 895313

APPROVAL: _____



Experience the Excellence
www.electroluxprofessional.com



Key Information:

External dimensions, Width:	
865311 (BHHPTBH14L)	1400 mm
External dimensions, Depth:	745 mm
External dimensions, Height:	1170 mm
Net weight:	12 kg
Splashback Dimensions, Height:	300 mm
Basin dimensions:	500x400x300h

Handling System for Hood type
Pre-wash Table with Bowl and Hole Left to Right, 1400mm

The company reserves the right to make modifications to the products without prior notice. All information correct at time of printing.